

Werkzeuge:



≈ 20 min



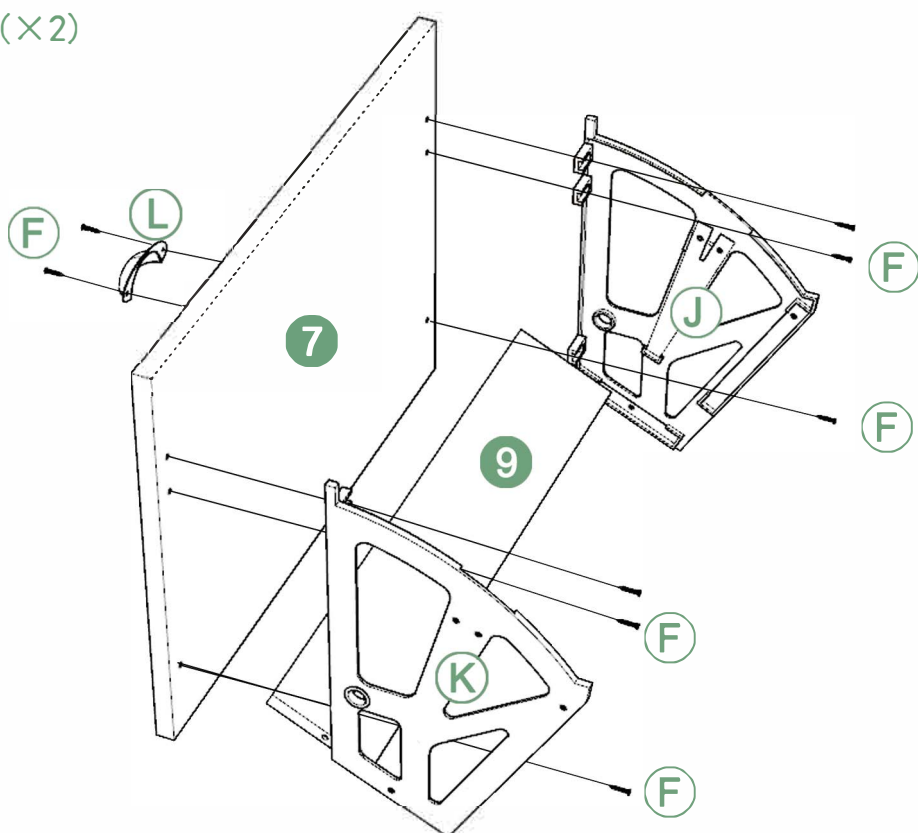
UNIT:MM

| 1 | 2 | 3 | 4 | 5 | 6 | 7 | 8 | 9 | 10 | 11 |
|-------------|------------|------------|------------|-----------|-----------|------------|------------|-----------|-------------|------------|
| | | | | | | | | | | |
| 1040×240×70 | 405×230×15 | 405×230×15 | 405×227×20 | 993×45×15 | 993×45×15 | 482×335×15 | 475×141×12 | 475×85×12 | 1040×240×40 | 1010×383×3 |

UNIT:MM

| A | B | C | D | E | F | G | H | N | J | K | L | M |
|-------|---------|-------|-----|-------|-------|-----|-----|-------|-----|-----|-----|---------|
| | | | | | | | | | | | | |
| × 11 | × 11 | | × 7 | × 4 | × 28 | × 4 | × 4 | × 16 | × 2 | × 2 | × 2 | × 6 |
| M6×35 | Φ 15×12 | M4×35 | | M4×12 | M3×15 | | | M3×10 | | | | 30×15×2 |

1.(×2)



2.(×2)

