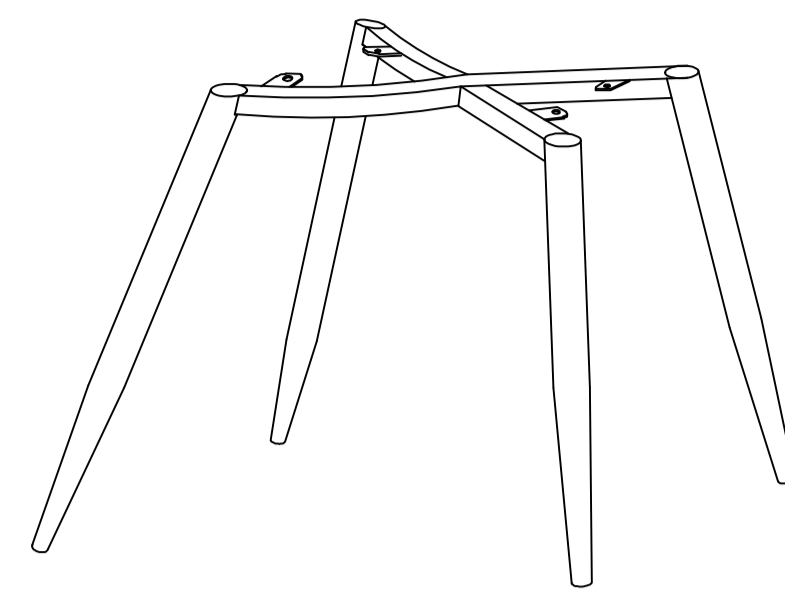


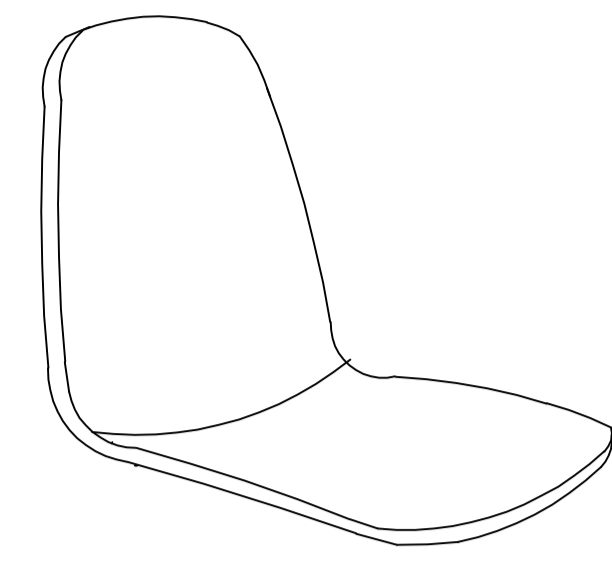
ASSEMBLY INSTRUCTION



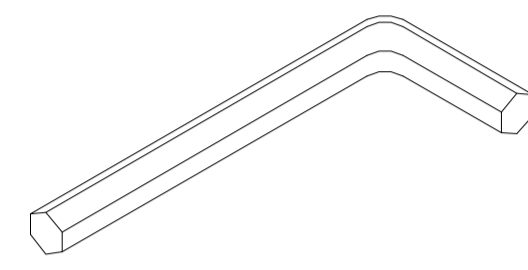
①x1



②x1

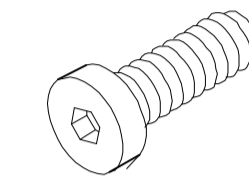


Ax1



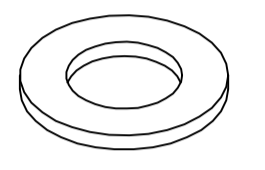
5#

Bx4



M6*18mm

Cx4



Ø16

